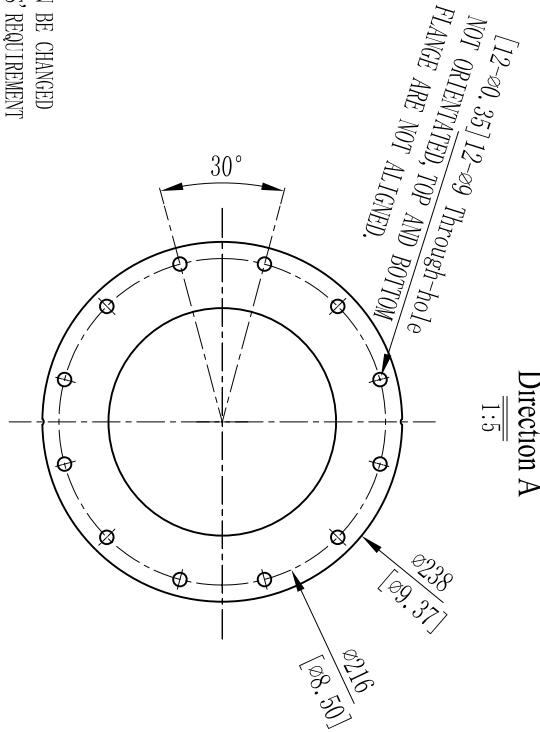
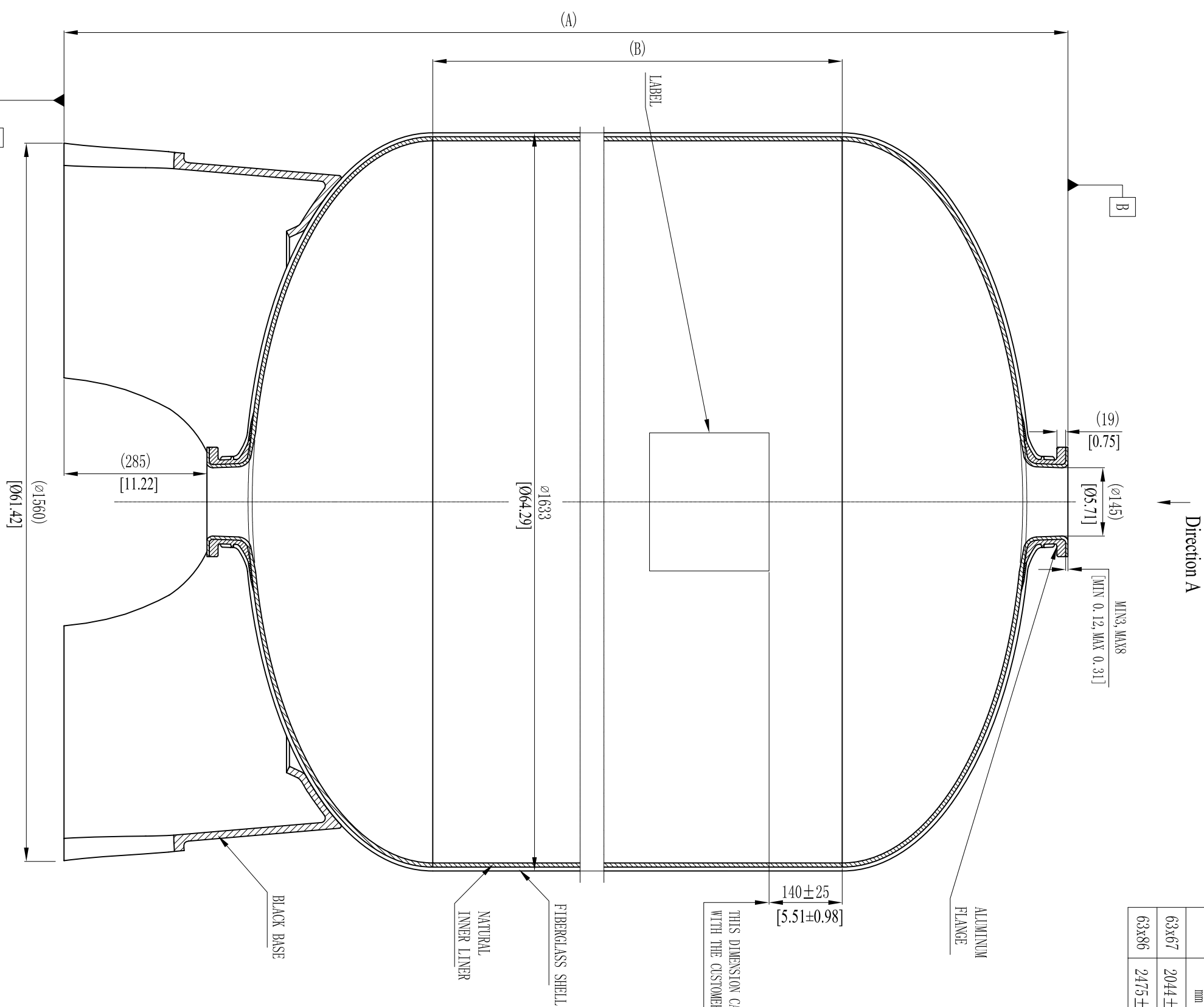


MODEL	A		B		VOLUME			DOME VOLUME		STRAIGHT WALL AREA		WEIGHT		
	mm	inch	mm	inch	liters	U.S. gal	cubic FT	liters	U.S. gal	cubic FT	sq. m	sq. FT	Kg	LBS
63x67	2044±15	80.47±0.59	728	28.66	2451	647.56	86.61	511	135.0	18.06	3.62	38.97	306	673
63x86	2475±15	97.44±0.59	1158	45.59	3306	873.45	116.82	511	135.0	18.06	5.76	62.0	360	792



- NOTES:
- TANK MUST MEET ALL APPLICABLE SPECIFICATIONS OF NSF/ANSI 044 STANDARD, LATEST REVISION.
  - OPERATING SPECIFICATIONS:
    - A. MAXIMUM WORKING PRESSURE - 150 PSI (10.5BAR)
    - B. TEMPERATURE RANGE - 34-150° F (-65°C)
    - C. MAXIMUM VACUUM - 5"Hg (127mm Hg)
  - VISUAL LINER INSPECTION
    - A. NO MORE THAN 20 INTERNAL OR EXTERNAL BLEMISHES OR BURST DEBRIS.
    - B. NO INTERNAL OR EXTERNAL BLEMISHES OR BURST DEBRIS LARGER THAN 5×5mm.
    - C. NO INTERNAL BLEMISHES OR BURST DEBRIS ALLOWED.
  - ALL GLASS STRANDS FROM FIBERGLASS LINER TO BE BONDED AND COVERED.
  - SURFACE TO BE FREE OF NICKS, SCRATCHES, RESIN AND GLASS.
  - SURFACE FINISH.
  - DIMENSIONS IN PARENTHESIS ARE REFERENCE ONLY.
  - DIMENSIONS IN SQUARE PARENTHESIS ARE INCH UNITS.
  - TANK TO BE BONDED TO BASE.
  - USING A STANDARD LEVEL WITH TANK POSITIONED ON A LEVEL SURFACE, DATUM B TO BE PARALLEL WITH DATUM A. BUBBLE OF LEVEL MUST FALL COMPLETELY WITHIN LINES WHEN MEASURED AT 90° INTERVALS WHEN PLACED ON THE TOP OF THE FLANGE.
  - AFTER THE TANK IS LEVELED, IT IS RECOMMENDED THAT THE TANK BE BOLTED TO THE FLOOR IN SIX POSITIONS PER THE TRIPOD BASE BOLT HOLE PATTERN WITH 3/8" ANCHORS.

VERSION NO.	1	THIS DRAWING IS UPDATED COMPLYING WITH THE CHINESE VERSION	SIGNATURE	2009/11/23
REFERENTIAL PLASTIC SHRINKAGE (IF NECESSARY):				
<b>WAVE CYBER (SHANGHAI) CO., LTD.</b>				
DESIGN	NAME	DATE	SCALE	MATERIAL
INSPECTION			1 : 10	SMOOTHNESS
APPROVAL			QUANTITY	COMPUTER CODE
THIS PRODUCT DRAWING CAN NOT BE COPIED AND/OR USED WITHOUT PRIOR WRITTEN APPROVAL OF WAVE CYBER.			PROJECTION	MODEL DESCRIPTION
			DO NOT MEASURE THE DIMENSIONS.	63" FRP PRESSURE VESSEL (DOUBLE FLANGE OPENING)
			UNIT: MM	DRAWING NO. 113632-00
			TOTAL PAGE: 1	VERSION NO. 1