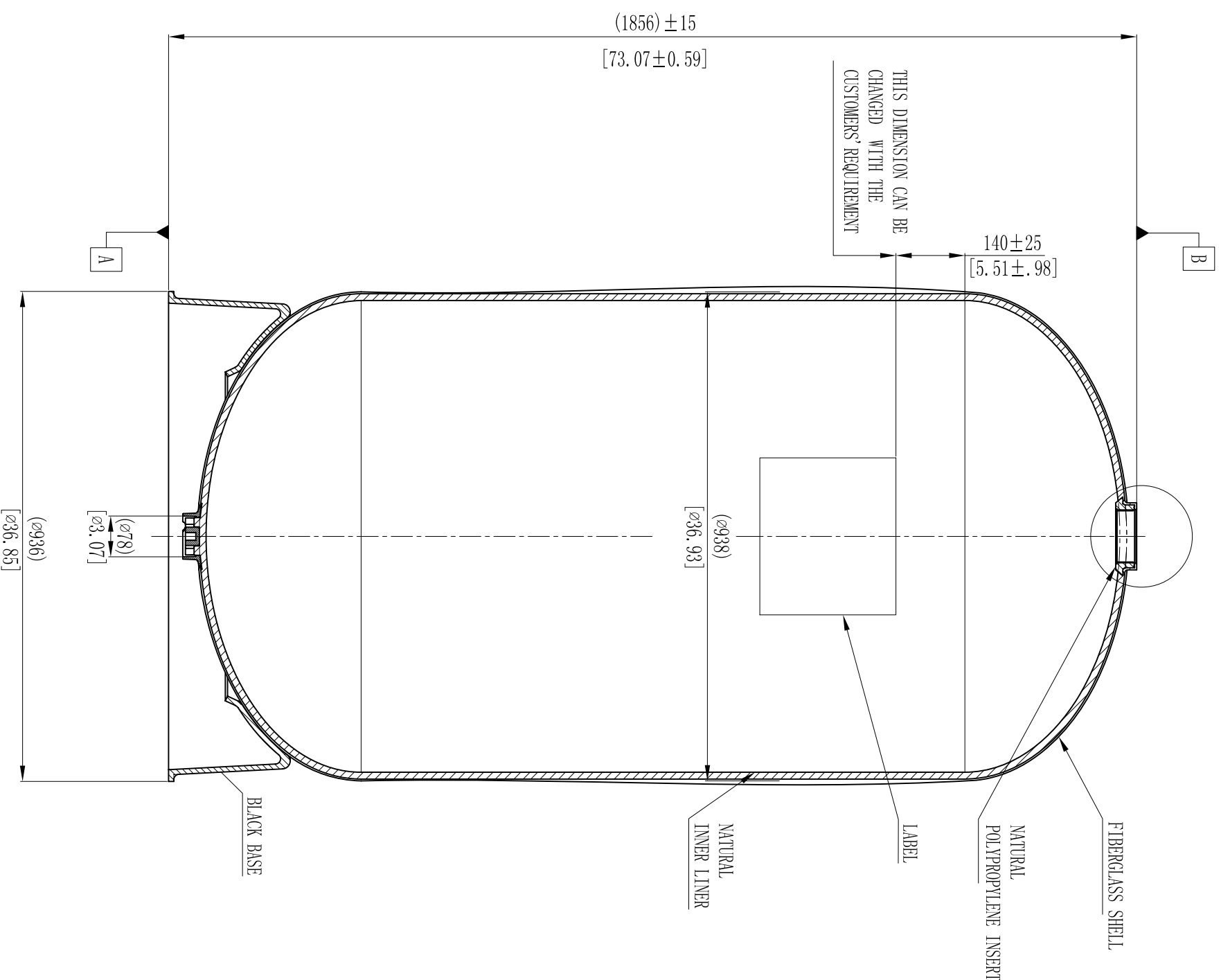
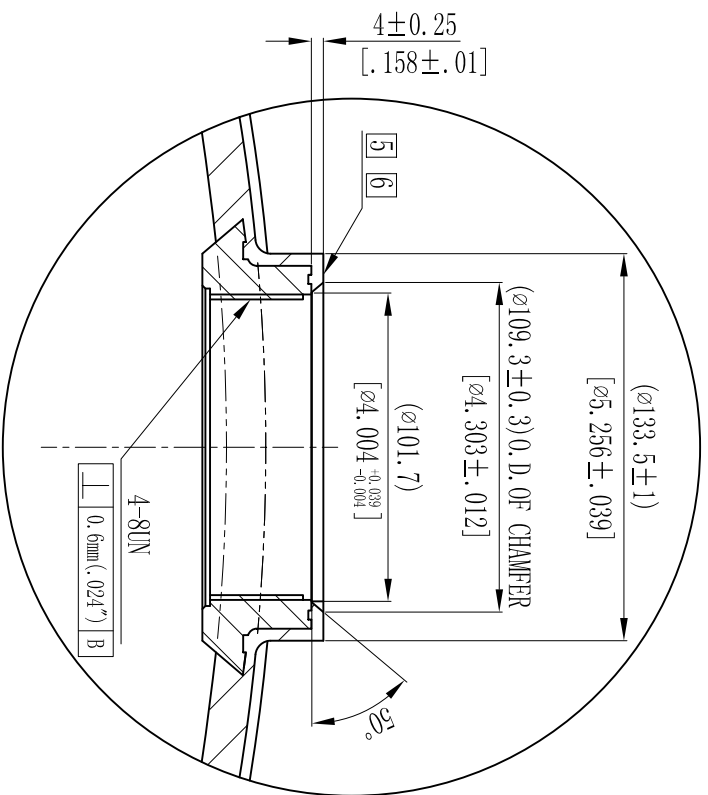


MODEL	VOLUME		DOME VOLUME		WEIGHT			
	Liters	U.S. gal	cubic FT	Liters	U.S. gal	cubic FT	Kg	LBS
36x72	984	259.97	34.77	125.8	33.21	4.44	122.8	270.2

1:2.5



THIS DIMENSION CAN BE CHANGED WITH THE CUSTOMERS' REQUIREMENT

- NOTES:
- TANK MUST MEET ALL APPLICABLE SPECIFICATIONS OF NSF/ANSI 044 STANDARD, LATEST REVISION.
 - OPERATING SPECIFICATIONS:
 - A. MAXIMUM WORKING PRESSURE - 150 PSI (10.5BAR)
 - B. TEMPERATURE RANGE - 34-120° F (1-49°C)
 - C. MAXIMUM VACUUM - 5"Hg (127mm Hg)
 - VISUAL LINER INSPECTION
 - A. NO MORE THAN 10 INTERNAL OR EXTERNAL BLEMISHES OR BURNT DEBRIS.
 - B. NO INTERNAL OR EXTERNAL BLEMISHES OR BURNT DEBRIS LARGER THAN 3×3mm.
 - C. NO INTERNAL BLEMISHES OR BURNT DEBRIS ALLOWED.
 - ALL GLASS STRANDS FROM FIBERGLASS LINER TO BE BONDED AND COVERED.
 - SURFACE TO BE FREE OF NICKS, SCRATCHES, RESIN AND GLASS.
 - SURFACE FINISH.
 - DIMENSIONS IN PARENTHESIS ARE REFERENCE ONLY.
 - DIMENSIONS IN SQUARE PARENTHESIS ARE INCH UNIT.
 - TANK TO BE BONDED TO BASE.
 - USING A STANDARD LEVEL WITH TANK POSITIONED ON A LEVEL SURFACE, DATUM B TO BE PARALLEL WITH DATUM A. BUBBLE OF LEVEL MUST FALL COMPLETELY WITHIN LINES WHEN MEASURED AT 90° INTERVALS.

VERSION NO.	6	THIS DRAWING IS UPDATED COMPLYING WITH THE CHINESE VERSION	SIGNATURE:	2008/10/28
REPERENTIAL PLASTIC SHRINKAGE (IF NECESSARY):				
SIGNATURE		WAVE CYBER (SHANGHAI) CO., LTD.		
DESIGN	NAME	DATE	SCALE	MATERIAL
INSPECTION			1 : 10	
APPROVAL			QUANTITY	SMOOTHNESS
THIS PRODUCT DRAWING CAN NOT BE COPIED AND/OR USED WITHOUT PRIOR WRITTEN APPROVAL OF WAVE CYBER.		PROJECTION	COMPUTER CODE	MODEL DESCRIPTION
		DO NOT MEASURE THE DIMENSIONS.	UNIT: MM	36"FRP PRESSURE VESSPL (SINGLE OPENING)
			DRAWING NO.	VERSION NO.
			111361-00	6
			TOTAL PAGE: 1	